



SBP-140WMW

Wall&Pole Mount



Key Features

- Weight : 631g (1.39lb)
- Material : Body-Aluminum, Cover-Polycarbonate (PC)
- Dimension: 198.2x145.5x118.3mm(7.80x5.73x4.66")
- Color: White

SBP-140WMW

Wall&Pole Mount



Specifications

Mechanical	
Color	White
Material	PC(Polycarbonate), Aluminum
RAL code	RAL9003
Product dimensions / weight	198.2x145.5x118.3mm / 631g
Mount Screw size	TR20
Max. load	3kg
Conduit hole	19.1mm(3/4")(M25)
Supported products	QNV-C6083R, QNV-C8083R, QNV-C9083R ※ For further compatible models, please visit our website or use Toolbox

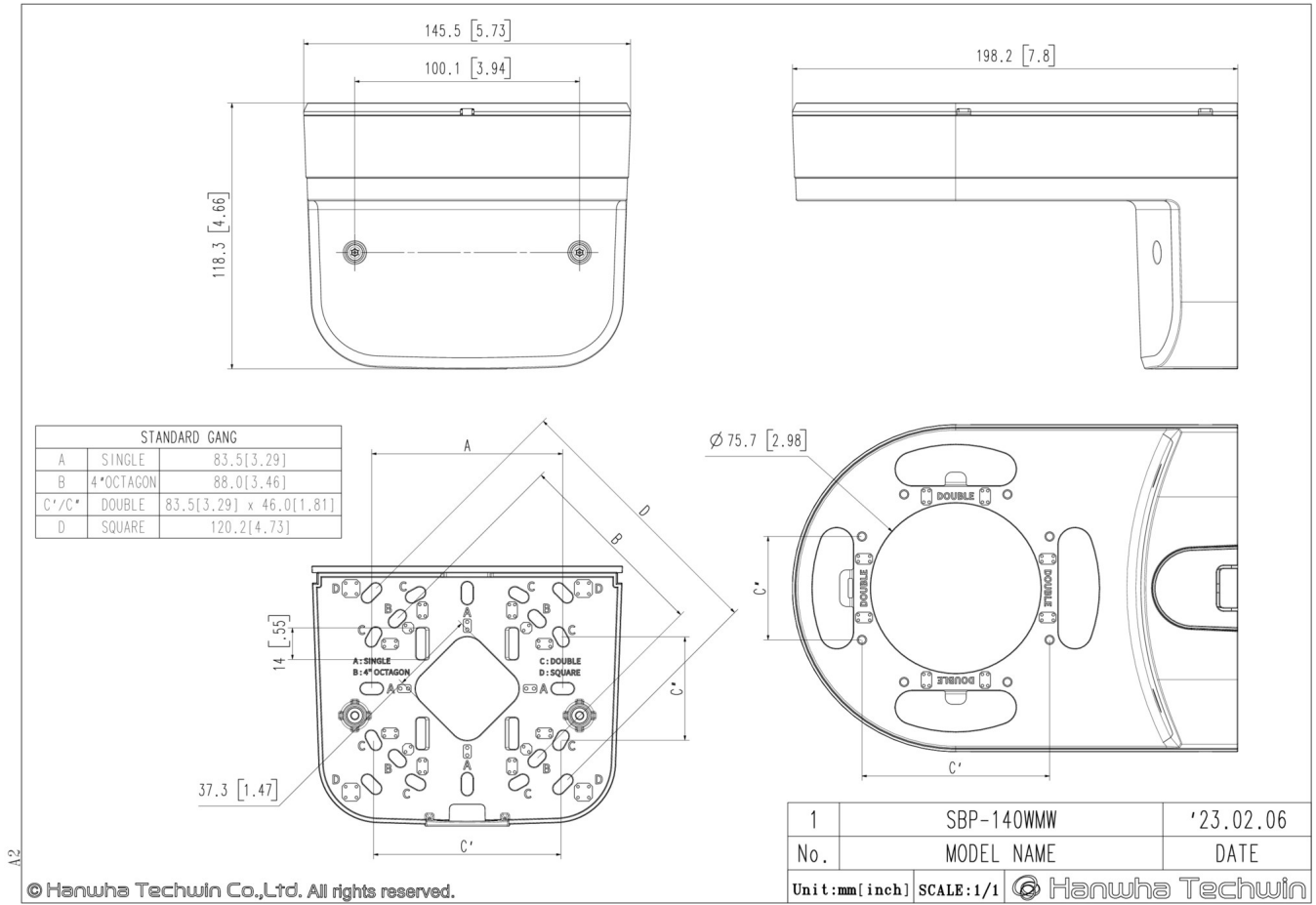
SBP-140WMW

Wall&Pole Mount



CAD

Unit: mm [inch]



A2

© Hanwha Techwin Co.,Ltd. All rights reserved.