

# SPA-C110W

## IP Ceiling Speaker



### Key Features

- Output Level: +6dBV  $\pm$  3dB
- Frequency Response: 20Hz ~ 20kHz
- Amplifier: Built in 10W Class D
- Power: PoE (IEEE 802.3 af type 1 Class 3), PoE+(IEEE 802.3 at type 2 Class 4)
- Internal Memory: 1 GBytes
- Max. Sound Pressure Level: 100dB
- Frequency Range (-10dB): 120Hz~20kHz
- Sensitivity (1Watt): 90dB
- Supported Protocol: IPv4, HTTP, HTTPS, SIP, mDNS, DNS, NTP, TCP, UDP, DHCP, ARP, ICMP, SNMP(v3)
- TTS: English(US, UK), German, French, Spanish, Russian
- Audio Monitoring: Speaker test by graphic level meter (Built in test tool)

# SPA-C110W

IP Ceiling Speaker



## Specifications

Product	
IP Audio Type	IP Ceiling Speaker
Line Output	
Output Level	+6 dBV $\pm$ 3 dB
Frequency Response	20Hz~20kHz
THD + N Ratio (AES17LPF)	Less than 0.1%
S/N Ratio (20kHz LPF, A-WTD)	Greater than 91 dB
Amplifier	
Description	Built in 10W Class D
Network	
Ethernet	10/100 Base-T
Memory	
Internal Memory	1 GBytes
External Memory (Micr SD)	SDHC upto 32GB (SANDISK)
Contact	
Contact Input. Dry contact	One Channel
Contact Output. Dry contact (NO)	One channel
General	
Operating Temperature	-20 $^{\circ}$ ~+50 $^{\circ}$ C(-4 $^{\circ}$ F~+122 $^{\circ}$ F)
Operating Humidity	10~85%RH(Non-Condensing)
IP Code	N/A
Weight	2.7Kg (5.95lb)
Size	$\phi$ 269*156.5(H)mm
Color	White
Certificate	EMC : FCC Part 15 Subpart B,ICES-003, Safety : UL 2043,UL 62368-1,CAN/CSA 62368-1
Speaker	
Speaker Component	2 Way 8" LF Drive & 2" HF Driver. Passive type

## Speaker

Max. Sound Pressure Level (PoE)	96 dB
Max. Sound Pressure Level (PoE+)	100 dB
Frequency Range (-10 dB)	120 Hz~20 kHz
Sensitivity (1 Watt)	90 dB
Coverage Pattern	(HxV) : 90° (1 kHz) / 60° (4 kHz)

## Network Protocol

Supported Protocols	IPv4, HTTP, SIP, mDNS, DNS, NTP, TCP, UDP, DHCP, ARP, ICMP
---------------------	--

## System Integration

Application Programming Interface	SUNAPI(HTTP API), ONVIF Profile S
Multi-source Dynamic PA control	Multi-source up to 48 (Multicast) (Audio 24CH + Mic 24CH) (Up to 15 audio channels can be broadcast simultaneously), Up to 256 Zone Control (Multicast), Up to 20 Zone Control (Unicast), Up to 255 Groups
VoIP	Tested with SIP clients such as Grandstream, Yealink, Cisco, MicroSIP softphone and PBX supplier such as Asterisk, Supported SIP features : DTMF (RFC2833), Supported codecs : PCMU, PCMA, speex/8000, speex/16000
TTS	English (US, UK), German, French, Spanish, Russian
Audio Monitoring	Speaker test by graphic level meter (Built in test tool)
Event & Preset	Virtual Contact, Dry contact
Functional Monitoring	Connection verification, Built-in system logging

SPA-C110W

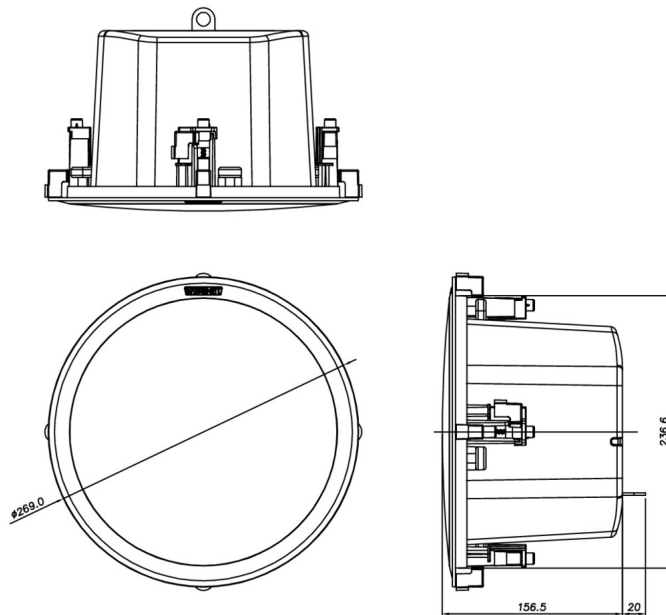
# SPA-C110W


IP Ceiling Speaker



CAD

Unit: mm [inch]



3	MODEL2	
2	MODEL1	
1	SPA-C110BW	23.05.10
No.	MODEL NAME	DATE
Unit: mm[inch] SCALE: 1/1		 Hanwha Techwin

© Hanwha Techwin Co., Ltd. All rights reserved.